

CERTIFICATE OF LOCATION OF GOVERNMENT CORNER

NORTHEAST Corner of Section 12, Township 108, Range 40, 5TH P.M.

STATE OF MINNESOTA, County of MURRAY

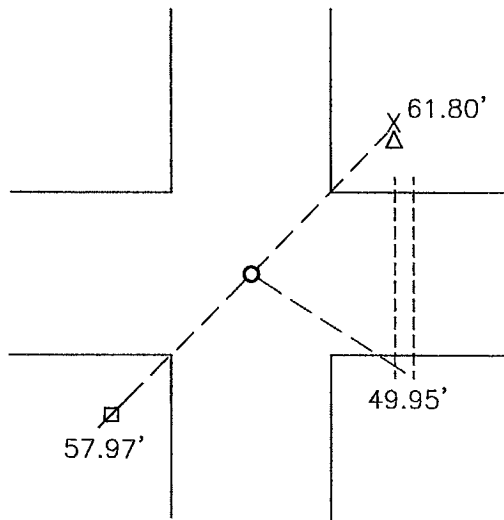
At the corner location shown on the sketch:

On _____ found a _____
DATE

left monument as found, lowered monument, removed monument (explain)

On 08-29-2008 placed a SURVEY SPIKE WITH SEAL #43844
DATE

SKETCH OF REFERENCE TIES



Minnesota State Plane Coordinate
System Murray County Datum
NAD83 (1996)
N: 221589.886
E: 548370.186

Nail and bottle cap in power pole SW 57.97'
Nail and bottle cap in telephone riser post NE 61.80'
Top of burr on apron band SE 49.95'

Statement of evidence relative to this corner location is on back of page.

I hereby certify that this document and the data contained herein was prepared by me or under my direct supervision.

James V. Johnson SIGNATURE Jan. 6, 2009 DATE

Registration No. 43844

Land Surveyor, Professional Engineer
 County Surveyor, County Engineer

OFFICE OF THE COUNTY RECORDER
County of _____

I hereby certify that this document was filed in the Co. Recorders office at _____ .M on the _____ day of _____ A.D. 20 _____

County Recorder *James V. Johnson*
By _____, Deputy

DOCUMENT NO. JUL 10 2009

Statement of Evidence

In 1867, J. W. Myers did the original survey of the township lines.

On May 11, 1899, a crockery and glass were placed in grade.

On July 6, 1931, a field stone was found over another field stone.

In 1967, a steal pin was placed over the stone.

On April 3, 1991, the Murray County Highway Department found a steal pin and placed a $\frac{1}{2}$ " x 8" rebar over it.

On August 29, 2008, Bueltel-Moseng Land Surveying set a survey spike with seal #43844 using the 1991 ties recorded by the Murray County Highway Department.